

P.O. Box 2701, Carlsbad, CA 92018

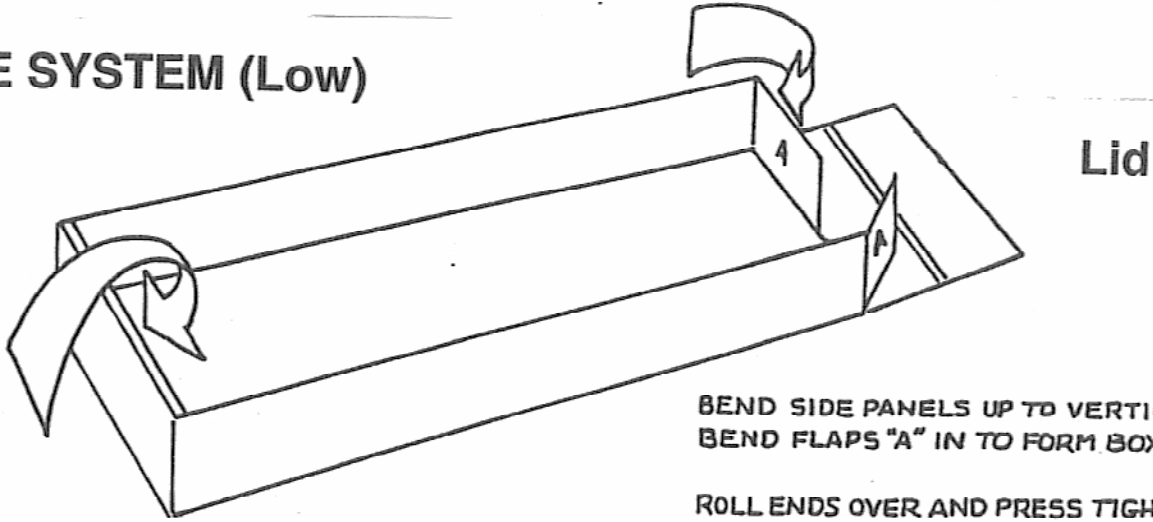
Phone #760-721-3393 Fax #760-721-3373

A division of PROTO POWER WEST

IMPORTANT: PREFOLD ALL SCORES PRIOR TO ASSEMBLY
(WATCH OUT FOR PAPER CUTS TO YOUR HANDS)

web site ppw-aline.com

N-SCALE SYSTEM (Low)

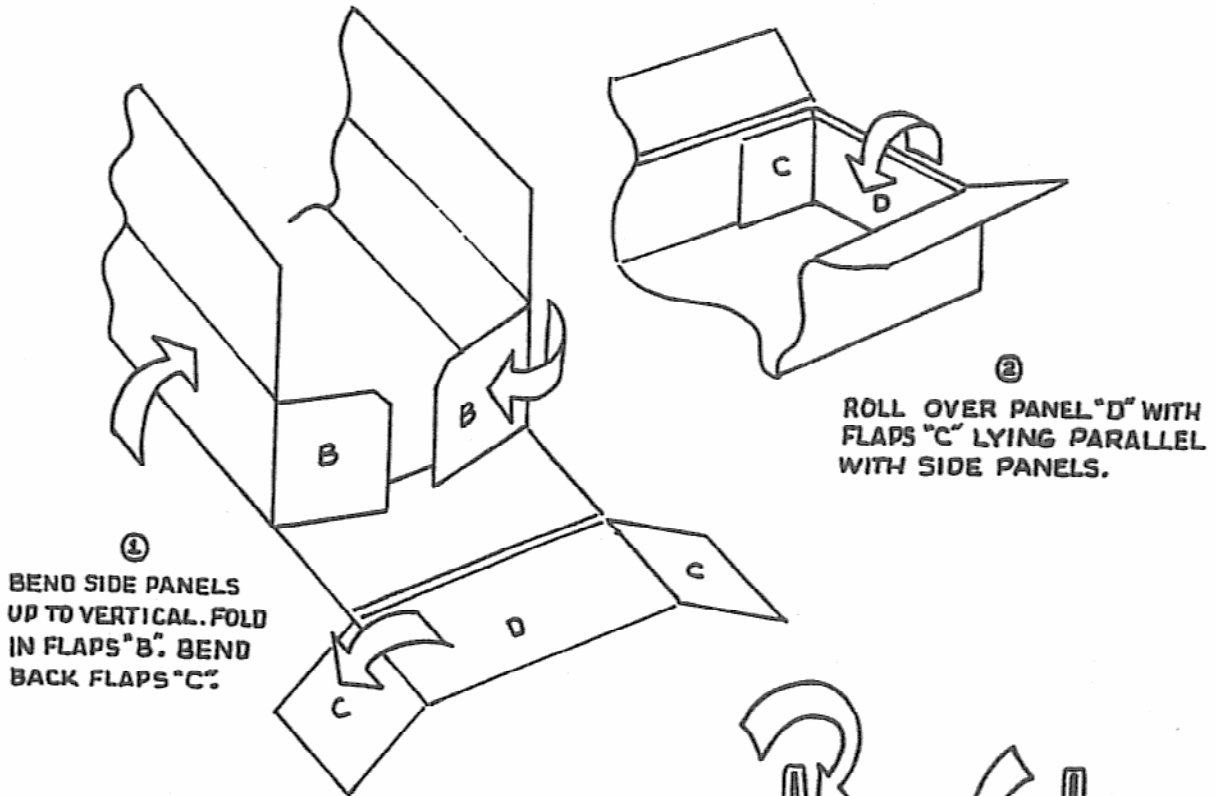


Lid

BEND SIDE PANELS UP TO VERTICAL.
BEND FLAPS "A" IN TO FORM BOX.

ROLL ENDS OVER AND PRESS TIGHT.

Base



①
BEND SIDE PANELS
UP TO VERTICAL. FOLD
IN FLAPS "B". BEND
BACK FLAPS "C".

②
ROLL OVER PANEL "D" WITH
FLAPS "C" LYING PARALLEL
WITH SIDE PANELS.

DIVIDERS



PREFOLD ALL SCORES
THEN FOLD AS SHOWN

③
ROLL OVER SIDE PANELS AND
FOLD